

Euro flat connector 2-pin E001

Description:

The Euro flat connector is capable for voltages up to 2,5 A and 250 V. Typical fields of application are devices with protection class II and devices with average capacity. With a few exceptions he can be used all over Europe and has no earthing contact.

Picture:



Certification:

CEE 7/XVII DIN 49406
DIN VDE 0624

KEMA, CB, SEV

Types:

H03VVH2-F	2x0,75 ²
H03VV-F	2x0,75 ²
H05VVH2-F	2x0,75 ² ; 2x1,0 ²
H05VV-F	2x0,75 ² ; 2x1,0 ²

	wire lengths	stripping measure	skinning measure
Min	350 mm	32 mm	32 mm
Max	6000 mm	240 mm	240 mm

Colors:

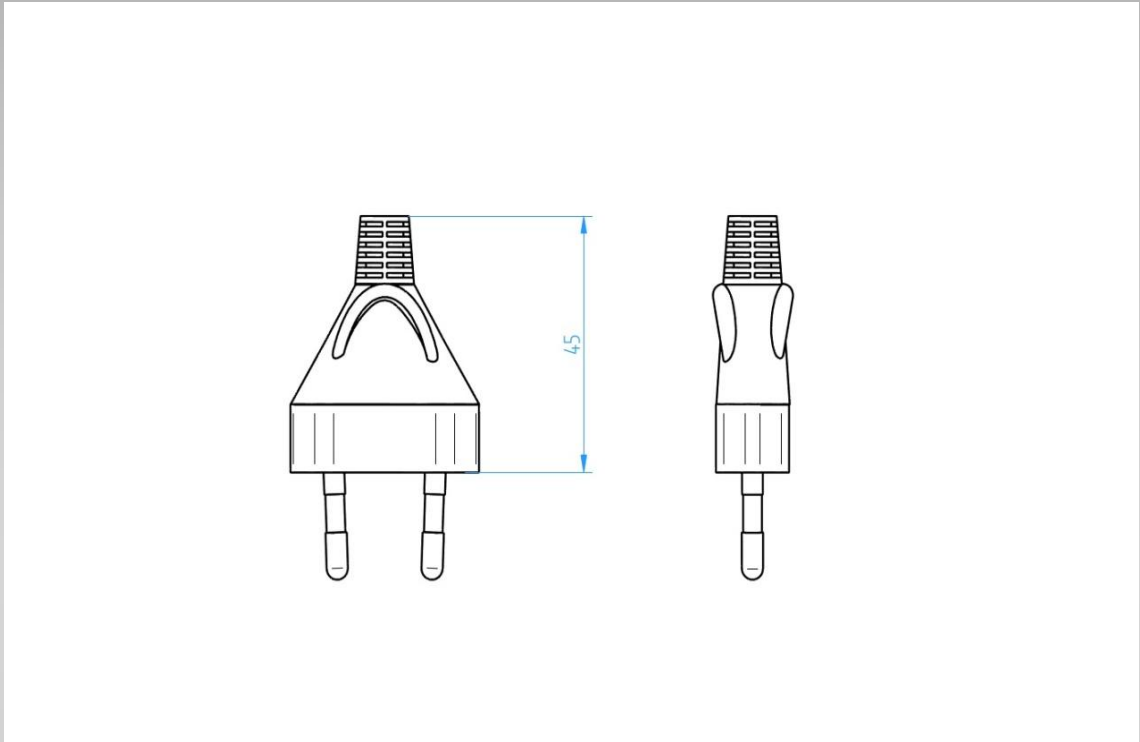
white, black, grey RAL 7035 / 7040
→ other colors are available on request

UNGER

Kabel-Konfektionstechnik GmbH & Co. KG

Euro flat connector 2-pin E001

Dimensions:



Variants:

- only without protection cover

Options:

The presented article is a possible variant. In dependence of the customer's requirements further variants with specific functions and special design are possible.

UNGER

Kabel-Konfektionstechnik GmbH & Co. KG