

Round pin attachment plug 2-pin K002

Description:

The round pin attachment plug is capable for voltages up to 16 A and maximum 250 V. Typical fields of application are devices with average power, about 500 until 2000 W, like e.g. vacuum cleaner or boring machines. That implies a maximum appliance capacity of 3500 W. Not licensed in England, Ireland and Switzerland

Picture:



Certification:

CEE 7/XVII DIN 49406
DIN VDE 0624

Types:

H05VV-F 2x0,75² ; 2x1,0²
H05RR-F 2x0,75² ; 2x1,0²
H05RN-F 2x0,75² ; 2x1,0² ; 2x1,0² Kl.6
H07RN-F 2x1,0² ; 2x1,5² ; 2x1,0² ; 2x1,5² Kl.6

| | wire lengths | stripping measure | skinning measure |
|-----|--------------|-------------------|------------------|
| Min | 350 mm | 32 mm | 32 mm |
| Max | 6000 mm | 240 mm (PVC) | 240 mm |
| | | 110 mm (rubber) | |

Colors:

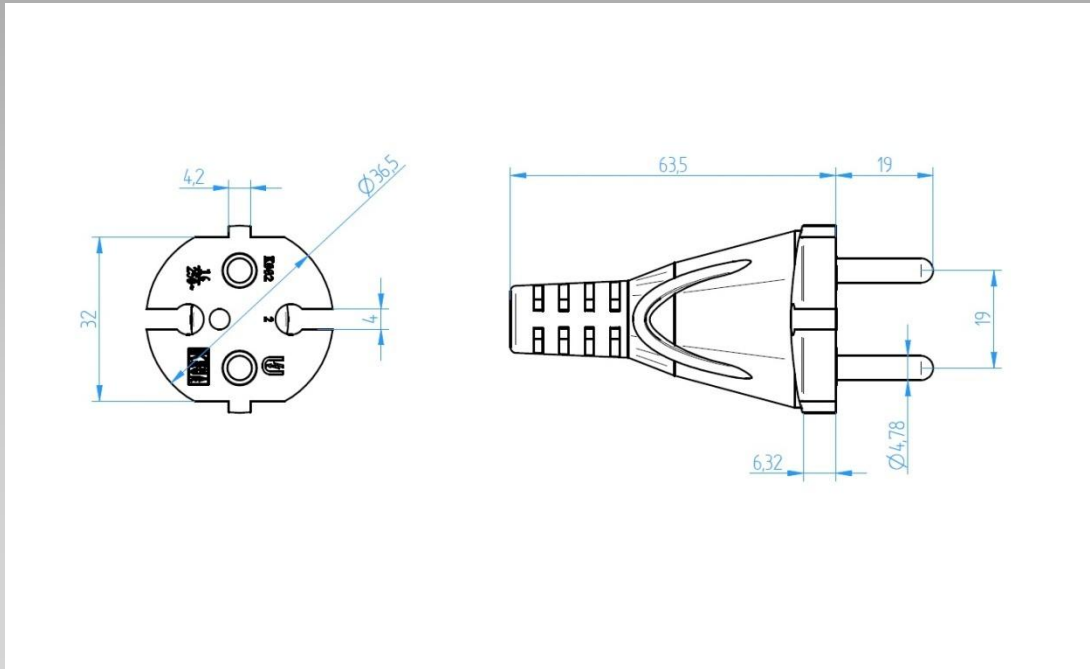
white, black, grey RAL 7035 / 7040
→ other colors are available on request

UNGER

Kabel-Konfektionstechnik GmbH & Co. KG

Round pin attachment plug 2-pin K002

Dimensions:



Variants:

- with or without protection cover



Options:

The presented article is a possible variant. In dependence of the customer's requirements further variants with specific functions and special design are possible.

UNGER

Kabel-Konfektionstechnik GmbH & Co. KG