

Swiss plug 2-pin K003

Description:

The Swiss plug is capable for voltages up to 10 A and maximum 250 V. Typical fields of application are devices with protection class II. This plug is only licensed in the Switzerland.

Picture:



Certification:

SNV 24506

SEV

Types:

H05VV-F	2x1,0 ²
H05RR-F	2x0,75 ² ; 2x1,0 ²
H05RN-F	2x0,75 ² ; 2x1,0 ²
H07RN-F	2x1,0 ² ; 2x1,5 ²

	wire lengths	stripping measure	skinning measure
Min	350 mm	32 mm	32 mm
Max	6000 mm	240 mm (PVC)	240 mm
		110 mm (rubber)	

Colors:

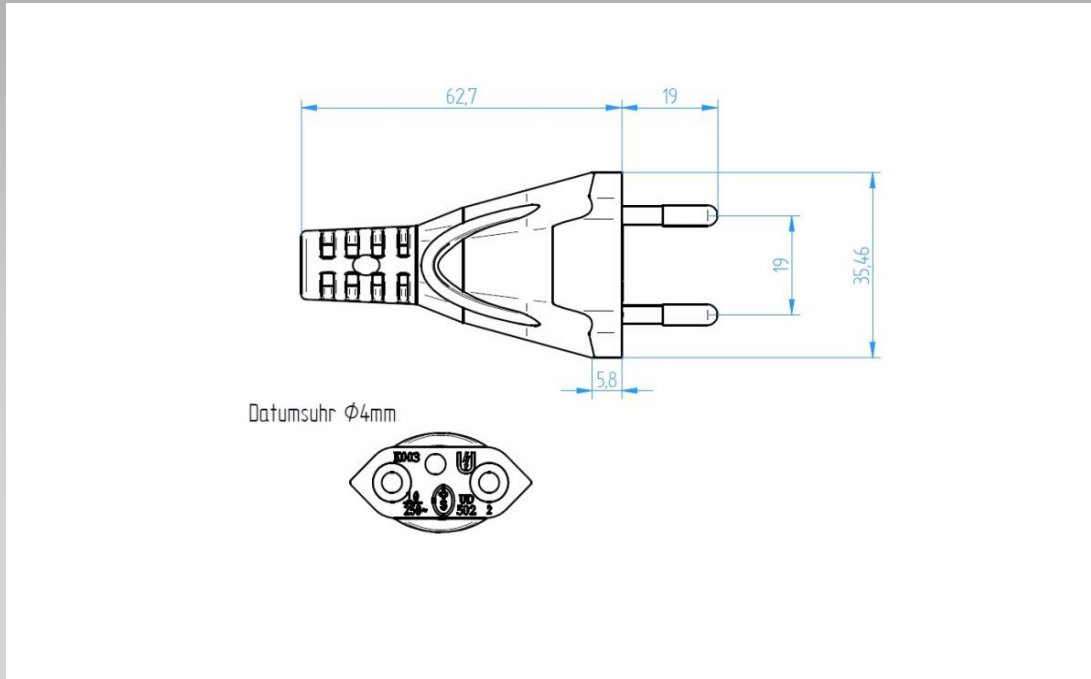
white, black, grey RAL 7035 / 7040
→ other colors are available on request

UNGER

Kabel-Konfektionstechnik GmbH & Co. KG

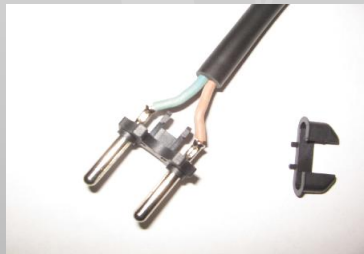
Swiss plug 2-pin K003

Dimensions:



Variants:

- with or without protection cover



Options:

The presented article is a possible variant. In dependence of the customer's requirements further variants with specific functions and special design are possible.

UNGER

Kabel-Konfektionstechnik GmbH & Co. KG